

# DIGIMATIC MICROMETER MDC-S

## Simplified Digital Micrometer

CATALOG No. E4298-293



**Slim, lightweight construction  
for ease-of-operation in hand as compared  
to a conventional digital micrometer.**

**Mitutoyo**

# Introducing the newly designed digital micrometer



mm model  
No.293-821



inch/mm model  
No. 293-831



Friction thimble type: No.293-832

## SPECIFICATIONS

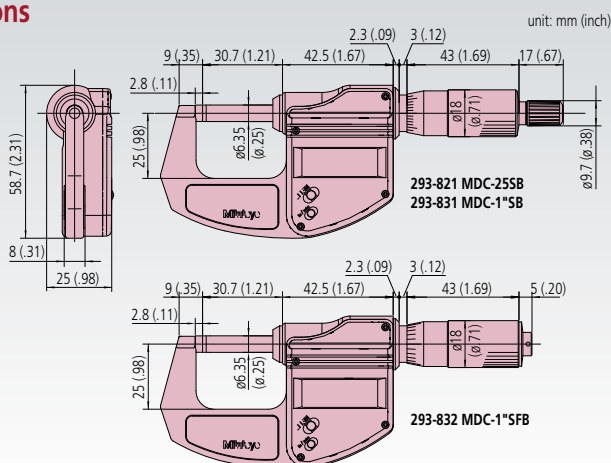
LCD Resolution	Measuring Range	Order No.	Accuracy at 20°C	Mass	Remarks
0.001mm	0-25mm	<b>293-821</b>	±2μm	275g	Origin key, Ratchet stop
.00005"/0.001mm	0-1" (0-25mm)	<b>293-831</b>	±.0001" (±2μm)	.605 lbs. (275g)	Origin key, inch/mm key, Ratchet stop
0.001mm	0-25mm	<b>293-832</b>	±.0001" (±2μm)	.616 lbs. (280g)	Origin key, inch/mm key, Friction thimble



## Innovations

- The new design of the MDC-S allows complete devolution to one simple function.
- A larger LCD display allows the user to read all measurements with ease.
- An addition of the automatic power (ON/OFF) function assures long-lasting battery life.

## Dimensions



Coordinate Measuring Machines

Vision Measuring Systems

Form Measurement

Optical Measuring

Sensor Systems

Test Equipment and  
Seismometer

Digital Scale and DRO Systems

Small Tool Instruments and  
Data Management

## Mitutoyo Corporation

20-1, Sakado 1-Chome,  
Takatsu-ku, Kawasaki-shi,  
Kanagawa 213-8533, Japan  
T +81 (0) 44 813-8230  
F +81 (0) 44 813-8231  
<http://www.mitutoyo.co.jp>

Note: All information regarding our products, and in particular the illustrations, drawings, dimensional and performance data contained in this pamphlet, as well as other technical data are to be regarded as approximate average values. We therefore reserve the right to make changes to the corresponding designs, dimensions and weights. The stated standards, similar technical regulations, descriptions and illustrations of the products were valid at the time of printing. In addition, the latest applicable version of our General Trading Conditions will apply. Only quotations submitted by ourselves may be regarded as definitive.

# Mitutoyo